



Installation Instructions

Instrucciones de instalación en español se encuentran en la parte posterior.

Model No.: 677-2. Under U.S. Patents 3,833,063; 3,844,006; 3,844,007; 5,518,075; etal/Foreign Patent 1,334,741; additional patents pending

Designed & Manufactured by Williams-Pyro in Fort Worth, TX
© and © 2008 Williams-Pyro, Inc. All rights reserved.

For storage & disposal information, or to learn more about StoveTop FireStop, please call 888.616.PYRO. You can also visit our website at www.StoveTopFireStop.com.

Active Ingredient: WPI BC, bicarbonate of soda, 12-15 ounces. (MSDS-WPI BC)

Warning

- Not intended for deep fat frying.
- When activated, may cause grease to splash.
- If heat source is not immediately shut off after unit has discharged, fire may re-ignite.
- Confirm clearance with electric and plumbing lines inside wall before drilling.
- Do not attempt to remove red, round wire extending from front edge.
- Do not attempt to disassemble the unit. Manufacturer not responsible for units that have been disassembled or tampered with in any way.

ATTENTION

Users must meet the maintenance and installation requirements and must follow all instructions for StoveTop FireStop Microhood to function properly.

Maintenance requirements

- Each unit must be replaced by the date on the bottom of the main unit. (Five-year life.)
- Units do not need to be recharged or inspected by a fire service professional.

Installation requirements

- StoveTop FireStop Microhood requires installation 15-24" above the cooking surface.

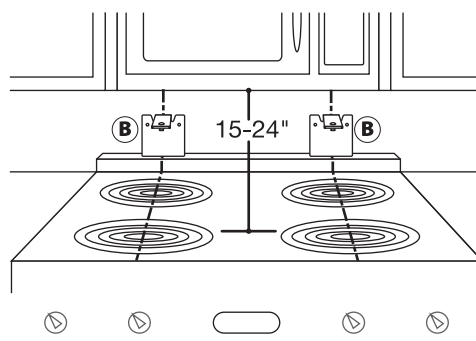
What you will need:

- Pencil
- #2 Phillips Screwdriver
- 1/8" drill bit
- Tile anchor* (alternative; not included)

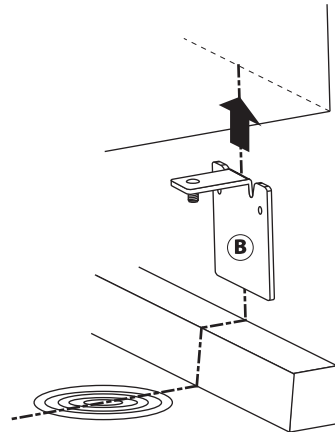
* If attaching the bracket to another material, such as tile or masonry, use a suitable anchor with a #8 screw available at your local home supply store. Pilot hole requirements may vary according to manufacturer's directions on proper installation.

** Use enclosed adhesive pad only if attaching the bracket to stainless steel. DO NOT DRILL HOLES in stainless steel backsplash.

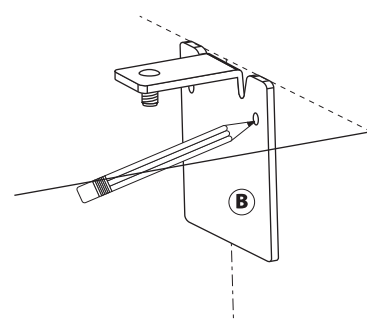
1 Confirm you have 15-24" of clearance between surface of cooktop and bottom of microhood. Align wall bracket [B] with center line of burners.



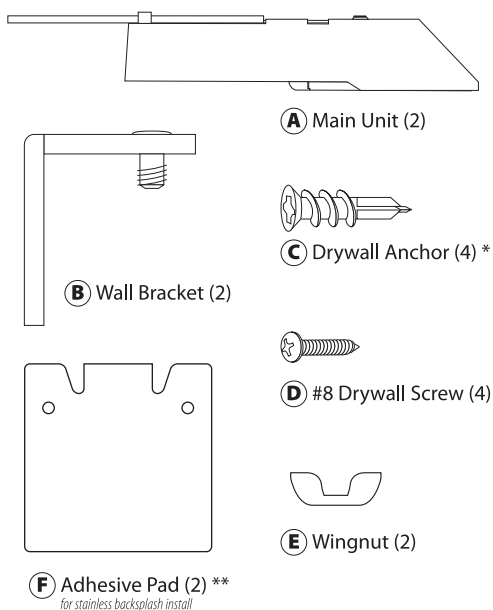
2 Slide Wall bracket up to touch bottom of Microwave.



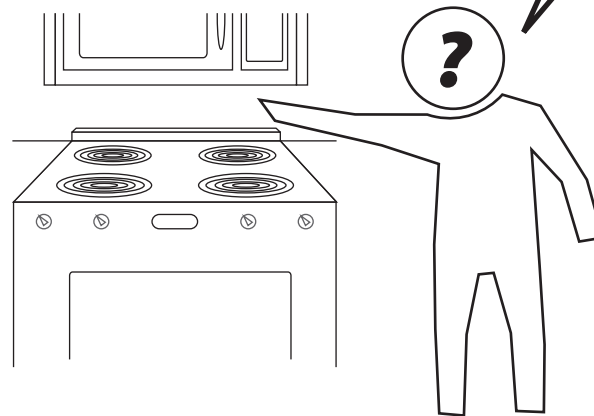
3 Mark location of bracket holes.



Parts Included (Not to scale)

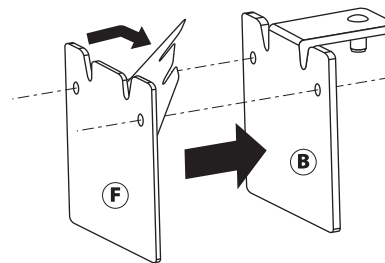


4 **?** If backsplash is stainless steel, **DO NOT DRILL HOLES.** Go **↓** to **i**
If backsplash is drywall (3/8"-5/8" thick,) or tile, go **→** to **5**

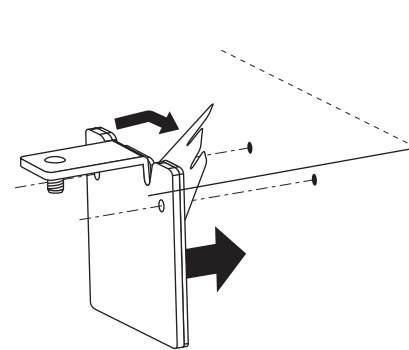


INSTALLATION FOR STAINLESS STEEL BACKSPLASH ONLY

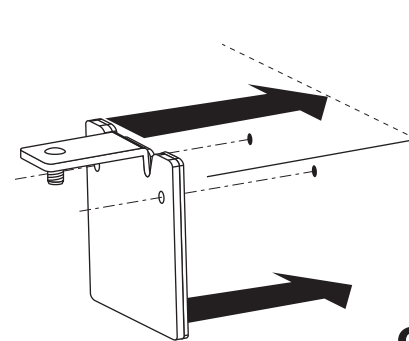
i Clean and dry surface of the bracket. Peel backing off one side of adhesive pad and discard. Align holes on pad with holes on bracket. Press pad evenly to bracket.



ii Clean and dry surface of the backsplash. Remove backing of remaining side of adhesive pad. Align holes to pencil marks on stainless steel backsplash.

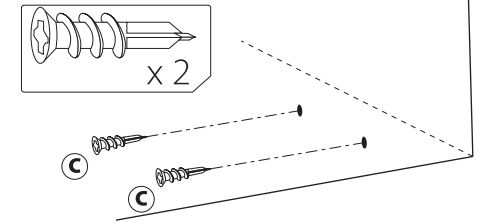


iii Press & hold wall bracket firmly against backsplash for 30 seconds. Wait 15 minutes to mount main unit to bracket. Go To STEP 7.



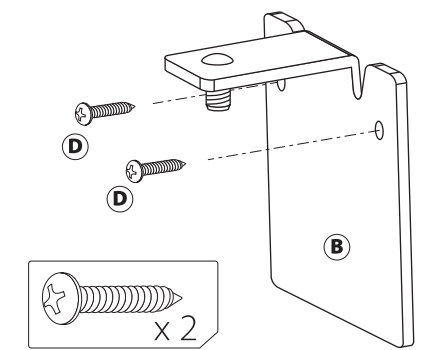
Go To 7

5 Drill 1/8" pilot holes in the marked locations. Push then screw the included drywall anchor* into the hole with a #2 Phillips bit.

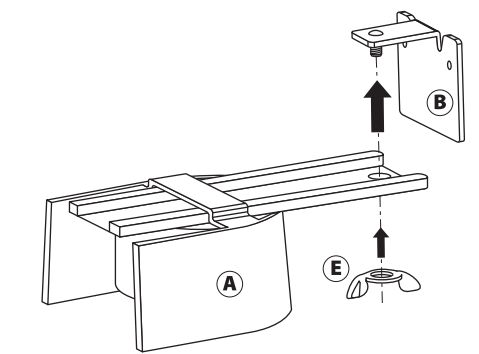


* If attaching the bracket to another material, such as tile or masonry, use a suitable anchor with a #8 screw available at your local home supply store. Pilot hole requirements may vary according to manufacturer's directions on proper installation.

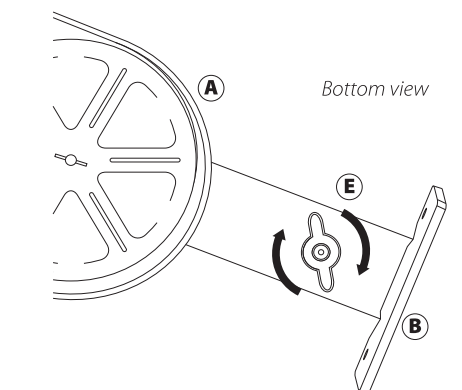
6 With anchors installed, align bracket mounting holes with anchors and insert screws with a #2 Phillips screwdriver.



7 Align the hole in the spine of main unit with threaded stud under wall bracket.



8 Secure main unit to wall bracket with wingnut by hand. Do not over tighten.



Repeat appropriate steps for second unit and installation will be complete.